

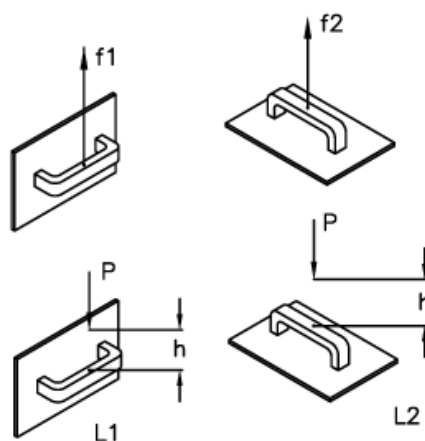
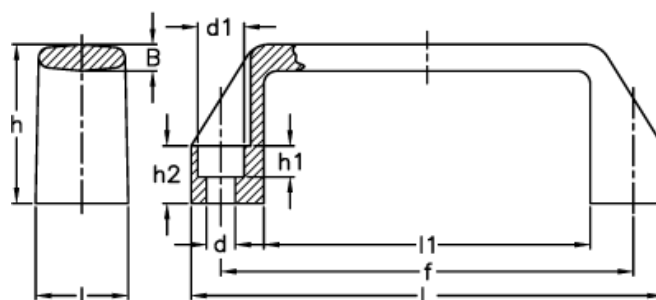
Data Sheet



Article number: 2304037031

Description: E+G Handle
M.443/110 N-CH

Measures



$$L[J]=P[N]\cdot h[m]$$

B	= 6	h2	= 13
d	= 6.5	l	= 21
d1	= 10.5	L	= 107
f	= 93,5 +/- 0,5	l1	= 74
F1 (N)	= 1700	L1 (J)	= 8
F2 (N)	= 1300	L2 (J)	= 3
h	= 36		
h1	= 7.0		